

SOUND Q DRIVERS

DA7010X / DAS7012X / DA7015X

**digital
audio**

**WELCOME TO THE DIGITAL AUDIO EXPERIENCE,
A REVOLUTION OF AUDIO PERFECTION.**

**Please read entire manual before
operating and retain for future use.**

Introduction

The Story of Digital Audio

Digital Audio was founded in 2000 with one thing in mind, "More". More power, more performance, more quality, more reliability, more everything! That is what Digital Audio delivers to it's retailers and consumers. "More".

Designed and developed by a team of former retailers Digital Audio, brings quality and performance to the market at a reasonable price without forgetting the importance of looks on a retail floor. Eye-catching designs and colors permeate the entire Digital Audio line, creating a line that consumers and retailers cannot do without.

With a one year over the counter exchange warranty, Digital Audio is more than just good looks. The quality, performance and reliability of the line allow the retailers to sell the line as their go-to profit line while allowing consumers the benefits of the Digital Audio creed; "More power, more performance, more quality, more reliability, more everything!"

Digital Audio means "More"!

Table of Contents

Table of Contents

INTRODUCTION	1
TABLE OF CONTENTS	2
WARNING / DISCLAIMER	3
FEATURES AND SPECIFICATIONS	4
BOX PARAMETERS	5
TROUBLE SHOOTING	6
WARRANTY	7
WIRING DIAGRAMS	8-10

Warning / Disclaimer

WARNING

As a preinstallation checkpoint, investigate the layout of your vehicle before drilling or cutting any holes. Make sure to be cautious when working around gas tanks, hydraulic lines, and/or electrical wiring. Always attach the system securely to the vehicle. This will help to prevent damage, especially in the event that you are involved in an accident. Avoid mounting the system where the wire connections are unprotected or can be subjected to pinching, or damage from moving parts.

Always fuse the +12V DC power wire at the battery positive terminal connection. This will help protect your battery and or amplifiers in case of an electrical problem. Before connecting or disconnecting any electrical wiring, disconnect the +12V DC wire at the battery. Make sure your source unit and all other electronic devices are turned off while connecting input jacks and speaker terminals. If you need to replace any fuses, replace it only with the identical fuse that was supplied or used. Using a different size fuse than that which was supplied for any component may result in damaging the system or other components which is not covered under the manufacturer warranty.

DISCLAIMER

Be aware that specifications are subject to change without notice. For the most current and accurate specifications, please call Digital Audio, your local Digital Audio dealer, or visit us at www.digitalaudioinc.com.

Features and Specifications

DA7010X

10" Sound Q Driver
Oversized 160 oz. Double Stacked Strontium Magnets
Power Handling: 600 RMS
Frequency Response: 28Hz - 500Hz
Efficiency: 91dB
2" Foam Surround
Non-Pressed Paper Laminated Cone
2" 4-Layer ASV Voice Coil
Dual 4 Ohm
2 or 8 Ohm Operation

DA7012

12" Sound Q Driver
Oversized 160 oz. Double Stacked Strontium Magnets
Power Handling: 800 RMS
Frequency Response: 24Hz - 500Hz
Efficiency: 92dB
2" Foam Surround
Non-Pressed Paper Laminated Cone
2" 4-Layer ASV Voice Coil
Dual 4 Ohm
2 or 8 Ohm Operation

DA7015X

15" Sound Q Driver
Oversized 200 oz. Double Stacked Strontium Magnets
Power Handling: 600 RMS
Frequency Response: 28Hz - 500Hz
Efficiency: 94dB
2" Foam Surround
Non-Pressed Paper Laminated Cone
2" 4-Layer ASV Voice Coil
Dual 4 Ohm
2 or 8 Ohm Operation

Box Parameters

MODEL	DA7010X	DA7012X	DA7015X
Fs (Hz)	37.19	33.89	29.71
Qts	0.41	0.49	0.5
Qes	0.5	0.552	0.568
Qms	4.09	4.35	4.31
Vas (liters)	31.44	32.114	126.46
Vas (cu. ft)	1.11	1.13	4.46
Revc (ohms)	3.6	3.6	3.6
Pmax (watts RMS)	600	800	1000
Sd (m ²)	0.0346	0.053	0.085
SPL (dB)	91	92	94
EBP	74	61	51
MODEL	DA7010X	DA7012X	DA7015X
VENETD ENCLOSURES			
Total Volume (cu. ft)	1.25	2	3
Port Dia (inches)	3	4	3
Port Length (inches)	10	10.75	2 x 7
Tuned Frequency (Hz)	35	35	35
-3dB (Hz)	31	31	32
SEALED ENCLOSURES			
Minimum Sealed (cu. ft)	0.25	0.5	1
Maximum Sealed (cu. ft)	1	1.25	2.75

Troubleshooting

If you start having problems with distorted sound or loss performance after installing your subs, you can follow the instructions below to try and locate what is causing the problem.

1) If you have any distorted sound, loss of performance, for rattling from your subs, check the connections running from your amplifier or other processor to the box. You will also want to check the connections inside the box to make sure no wires have become unhooked or are loose.

2) If the above does not solve the problem, check your enclosure thoroughly to see if there are any leaks, cracks, or broken pieces. Any loss of structural integrity of your enclosure can cause significant performance loss and distortion.

3) The next step you can take is to remove the subs and look for any burned wire leads or separated components. You can normally smell something burning when a sub blows or is going bad. Sometimes when you play subs too hard for too long, they will start to heat up.

4) If none of the above steps solve the problem, you will want to start looking at the other components in the vehicle. Start by checking all connections to and from the box, amplifier, source unit, or any other processors you may be using. You will need to reference to that particular manufacturer for any setting configurations or troubleshooting.

Warranty

Digital Audio products are manufactured with the highest quality components and most advanced technology available. Because of this, we recommend that you check the defective product carefully to confirm that the product is truly has a factory defect as opposed to abuse or other components in your system causing the failure. Any product found to have a factory defect will be replaced with a new piece of the same or like model. Any product that is found to have no factory defect will be returned to the sender.

Warranty Period: One year from date of purchase

Warranty coverage: This warranty covers manufacturers defects only

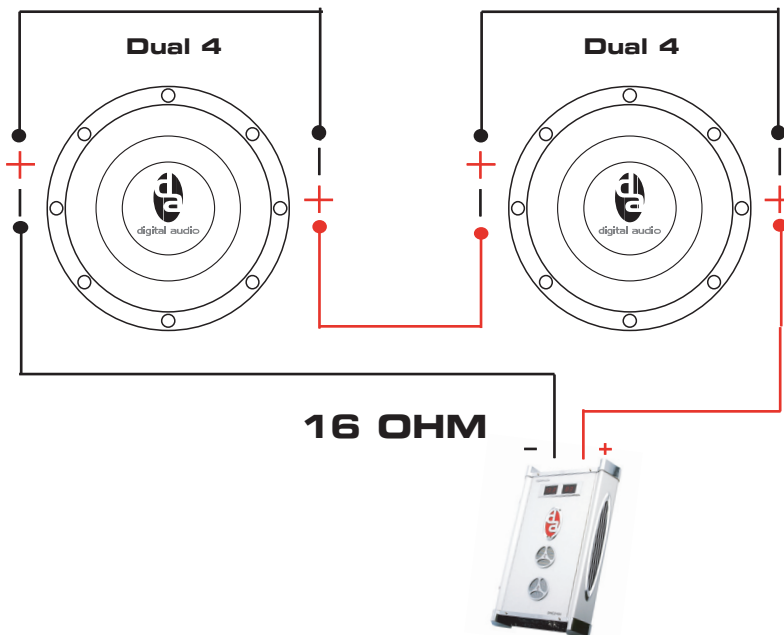
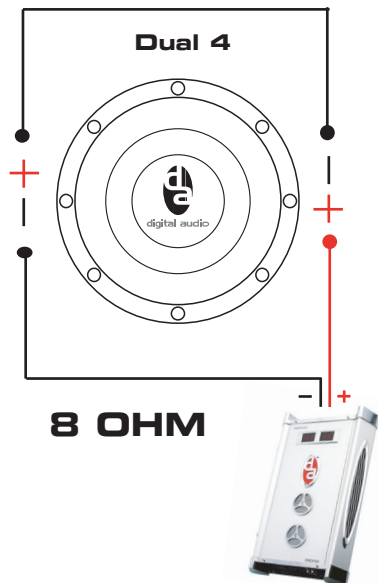
Not Covered: This warranty does not cover:

- Damage caused by abuse, misuse, accident, water or theft
- Damage caused by improper installation
- Any cost or expense related to removal and reinstallation
- Any service performed by anyone other than Digital Audio
- Any product that has been serviced by anyone other than Digital Audio
- Any product that has the serial number removed, altered, or defaced
- Subsequent damage to other components
- Any product purchased outside the USA
- Any product not purchased from an Authorized Digital Audio Retailer
- Any product not returned in the original packaging
- Burned voice coils on speakers and woofers
- Any product that is in new and/or working condition
- Complete subwoofer enclosures - Digital Audio will replace the defective woofers, plexi-glass, or neon only. Do not send the entire enclosure in
- LED indicators on electronics - call for a replacement LED

How to receive service: Contact the Digital Audio retailer you purchased the product from or Digital Audio at (866) 897-7155.

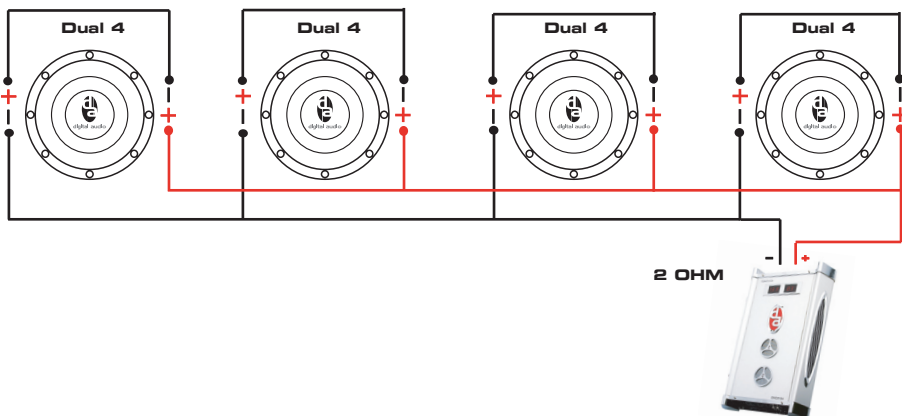
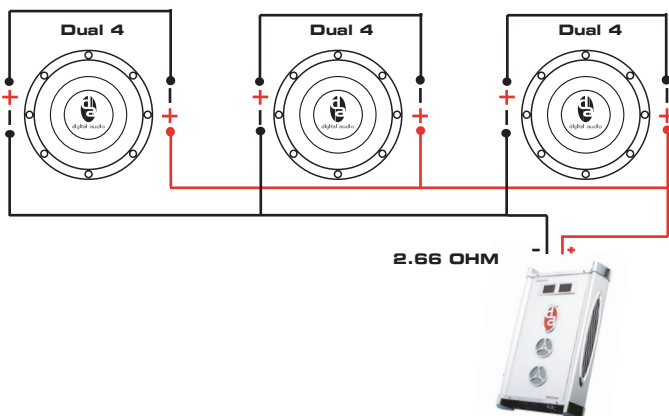
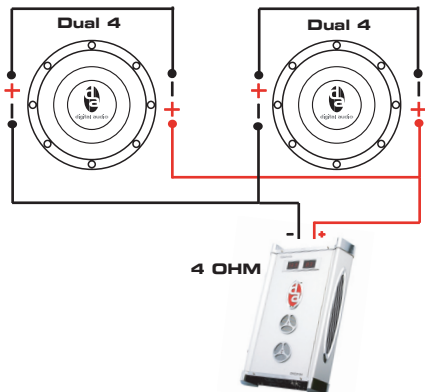
Wiring Diagrams

Series - Series Dual 4 Ohm



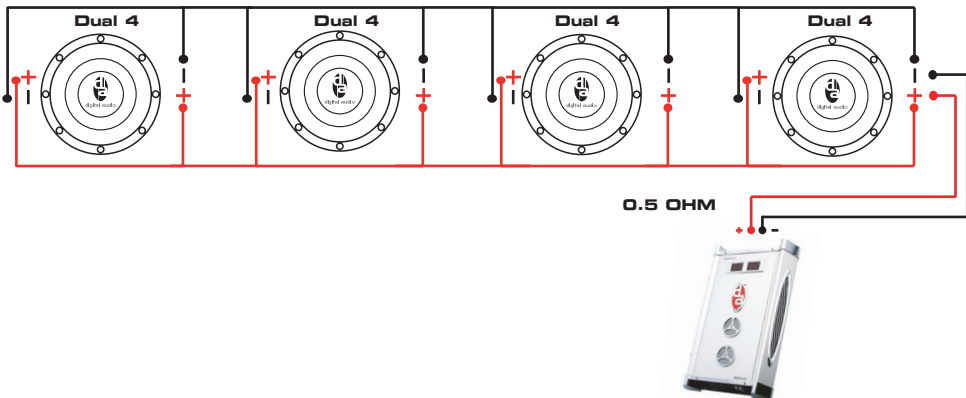
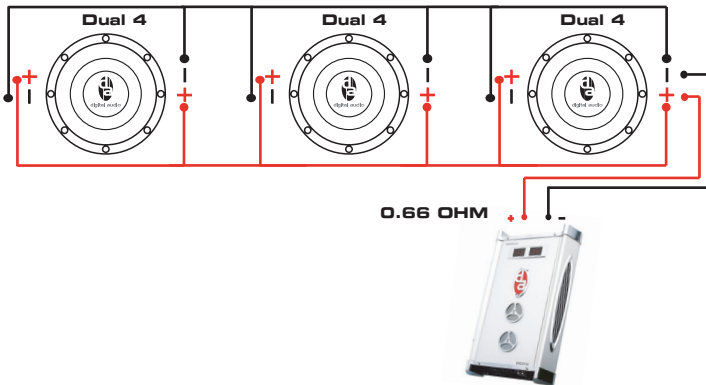
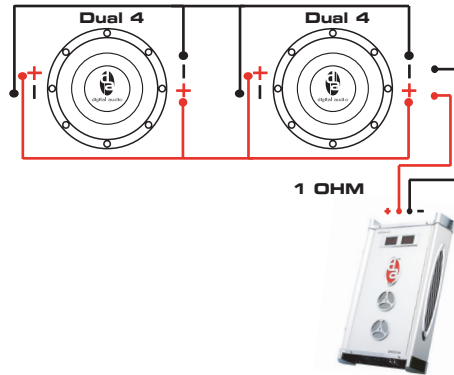
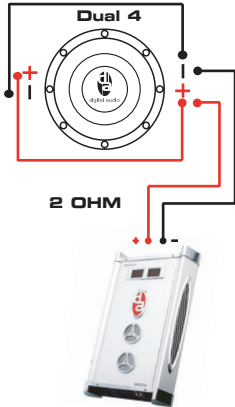
Wiring Diagrams

Series - Parallel Dual 4 Ohm



Wiring Diagrams

Parallel - Parallel Dual 4



digitalaudio

Proud Sponsor of



Digital Audio USA Office

503 West High Street
Hicksville, OH 43526
Ph: (419) 542-8524
Fax: (419) 542-7675
Tech Line: (866) 649-2119

International Contact Information

Digital Audio Corporate Office

114 South Berry Street
Brea, CA 92821
Ph: (714) 988-0377
Fax: (714) 988-0371
Tech Line: (714) 988-0360

Tech email: tech@digitalaudioinc.com
Sales email: sales@digitalaudioinc.com

www.digitalaudioinc.com